



# Taylor Made SYSTEMS™

## Door Systems

ENGINEERED FOR QUALITY & PERFORMANCE

A Member of  
THE TAYLOR MADE  
GROUP™

[www.taylormarine.com](http://www.taylormarine.com)  
...your window to pleasurable boating!



*... your doorway  
to pleasurable boating!*

Taylor Made  
*solutions...*  
The OEM Advantage

# Ultra Flush Glass Salon Doors

STAINLESS STEEL & ALUMINUM SYSTEMS



Custom Sizes

## Features & Benefits

- Full tempered safety glass with black-out border
- Entire door system is fabricated of marine grade 316L stainless steel
- All framing components have rolled edges to prevent sharp borders at the joints
- Raised roller track eliminates the possibility of debris buildup in the tracks and makes cleaning the bottom sill convenient
- Lock hardware is isolated from and sealed to glass with rubber gaskets
- Adjustable stainless steel rollers, for corrosion resistance
- Engineered with a knock-down frame for convenient shipping and assembly
- Design of door unit is adaptable to various layout options
- Increased door stiffness from a fully bonded glazing system
- Each door panel is fully welded for strength and ensured watertightness
- Optional aluminum frame construction
- Sliding insect screen for comfort



Interior Latch With Lock Feature



Exterior Latch With Lock Feature

# Ultra Salon Doors

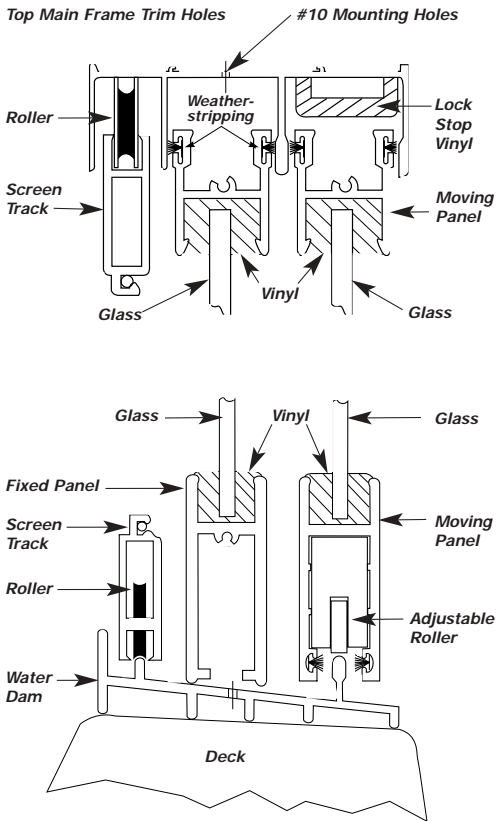
ALUMINUM MECHANICAL SYSTEMS

Taylor★Made® salon doors feature 6063 mechanical frame construction. Engineered with an adjustable roller track system, with drain channels and water dams in conjunction with our EPDM sponge gaskets, vinyls and weatherstripping for ensured watertightness and reliable fit. Taylor★Made® weather resistant polyester powder coatings are available in black, white or sparkling silver. Custom sizes, shapes and designs for OEM boatbuilders. Sliding framed insect screen door available. Inside/outside locking feature is standard, secondary keyless latch is optional. Taylor★Made® tempered safety-tinted glass for privacy.



Custom Sizes

## Bulkhead Door Cross Sections



Drawings not to scale.

Salon Door

## Features & Benefits

- Incorporates easily adjusted rollers to square the door in the opening
- Locking and latching hardware operates both inside and out, meeting ISO requirements
- Sliding framed insect screen door for comfort
- Engineered with a knock-down frame for convenient shipping
- Design of door unit is adaptable to various layout options
- Available in curved glass configuration



Doors available in the following configurations to your specifications  
 OX – 1 Fixed/1 Opening    OXO – 2 Fixed/1 Opening    OXXO – 2 Fixed/2 Opening

# Vista Companionway Doors

BI-FOLD & SLIDING SYSTEMS



Vista bi-fold and sliding companionway doors are engineered with heavy punched mechanical joints for added strength. The aluminum frame is finished in a weather resistant polyester powder coating. Taylor★Made® tempered safety glass or acrylic panels are optional, with custom shapes, sizes, and designs available upon request. EPDM sponge gaskets and vinyl for watertightness. The Vista companionway doors are engineered for fit, finish, and flexibility, giving the OEM the advantage...with Taylor★Made® solutions. Available with stainless trim and sliding insect screens.

Custom Designs Available Upon Request

## Features & Benefits

- Taylor★Made® tempered safety glass or acrylic panels optional
- Aluminum frame finished in weather resistant polyester powder coating
- Custom shapes, sizes and designs available upon request
- Pre-drilled frame
- Heavy-duty piano hinge for bi-fold option
- EPDM sponge gasket for watertightness
- Locking latch is standard

## VISTA SLIDING COMPANIONWAY DOOR DIMENSIONS

MODEL	A	B	C	D
400	41-7/8"	22-1/4"	25-3/4"	105"
410	30"	41-7/8"	25-3/4"	105"

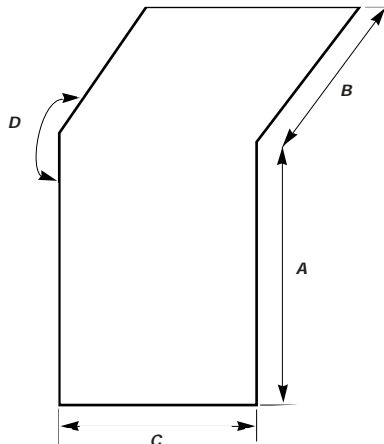
## CUSTOM SIZES



Custom sliding and bi-fold companionway doors are designed and built to each boatbuilder's specifications. Our one-piece, completely assembled sliding or bi-fold door offers easy installation.

## When Ordering Door Frame Extrusions, Please Send The Following Information:

1. Cut-out size
  - A. Bottom to bend
  - B. Depth
  - C. Width
  - D. Degree of angle
2. Bi-fold or single panel door, hinged port or starboard
3. Bi-fold or single panel hatch
4. Color of frame
5. Color and thickness of acrylic



Sliding Companionway  
Boat Types – All  
Area IV  
Design Category A-D

# Vista Acrylic Doors & Components

RECTANGULAR, OVAL & CUSTOM SHAPES

## Features & Benefits

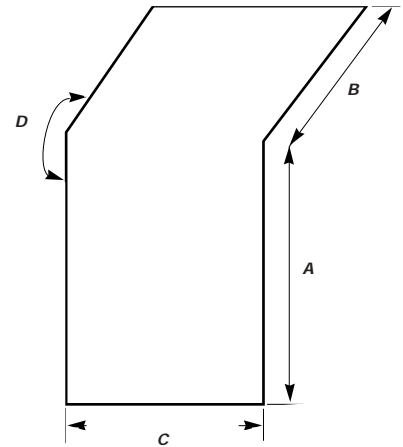
- Smoked, white or custom acrylic panels optional
- Optional stainless steel or aluminum piano hinges
- Mechanical or welded aluminum pre-drilled systems available
- Acrylic edges machine buffed for ensured quality
- EPDM sponge gasket for watertightness
- Locking latch is standard
- Custom shapes, sizes and designs available upon request
- Interior or exterior doors available
- Single hinge, bi-fold and sliding doors available upon request
- Innovative aluminum track with nylon slide mechanism prevents twisting and binding
- Radiused or mitered corners optional



Custom Sizes

## When Ordering Door Frame Extrusions, Please Send The Following Information:

1. Cut-out size
  - A. Bottom to bend
  - B. Depth
  - C. Width
  - D. Degree of angle
2. Bi-fold or single panel door, hinged port or starboard
3. Bi-fold or single panel hatch
4. Color of frame
5. Color and thickness of acrylic



## Console Windscreens

- Continuous cast acrylic construction
- Custom shapes, sizes and colors available upon request
- Optional mounting systems available

Taylor Made  
*solutions...*  
The OEM Advantage

---

Door Systems



## TAYLOR MADE SYSTEMS SALES OFFICES

**NEW YORK** 93 South Boulevard, Gloversville, NY 12078  
Tel: 518-773-0636 Fax: 518-773-2919  
Andy Coco ACoco@taylormarine.com

**FLORIDA** 2750 Kansas Street, Oviedo, FL 32765  
Tel: 518-339-8101 Fax: 407-366-6864  
Rob Luxon RLuxon@taylormarine.com

**GEORGIA** 7902 Magnolia Industrial Blvd., Tifton, GA 31794  
Tel: 518-320-6020 Fax: 229-387-0412  
Loretta Turner LTurner@taylormarine.com

**INDIANA** 22442-1B Breakwater Drive, Elkhart, IN 46516  
Tel: 518-320-6020 Fax: 574-293-6858  
Vic Weber VWeber@taylormarine.com

**KENTUCKY** 565 Keysburg Road, Allensville, KY 42204  
Tel: 615-477-5760 Fax: 270-265-0797  
Lenny Head LennyH@waterbonnet.com

**OKLAHOMA** 3209 South 101 East Avenue, Tulsa, OK 74146  
Tel: 518-339-5710 Fax: 918-663-9670  
Charles Ivey Clvey@taylormarine.com

**TENNESSEE** 924 Hopper Lane, Knoxville, TN 37932  
Tel: 518-339-5935 Fax: 423-966-6296  
Don Puckett DPuckett@taylormarine.com

**WASHINGTON** 3302 158th Place NW, Stanwood, WA 98292  
Tel: 518-339-7446 Fax: 360-652-9259  
Jeff Day JDay@taylormarine.com

**UNITED KINGDOM** **TREND MARINE PRODUCTS LIMITED**  
Catfield, Gt. Yarmouth, Norfolk NR29 5BG, UK  
Tel: +44(0)1692 581307 Fax: +44(0)1692 582993  
Jeremy Usher Jeremy@trendmarine.com

**US Sales Office**  
93 South Boulevard, Gloversville, NY 12078  
Tel: 518-773-0636 Fax: 518-773-2919  
Nick Riska NRiska@taylormarine.com

**IRELAND** **TAYLOR MADE GLASS & SYSTEMS, LTD.**  
Templemore, County Tipperary, Ireland  
Tel: 353-504-31411 Fax: 353-504-31986  
Eric Wagner EWagner@taylormarine.com

**TAYLOR MADE SYSTEMS NEW YORK**  
93 South Boulevard, Gloversville, NY 12078  
Tel: 518-773-0636 Fax: 518-773-2919  
tms@taylormarine.com

**TAYLOR MADE SYSTEMS BRADENTON, INC.**  
1900 47th Terrace East, Bradenton, FL 34203  
Tel: 941-747-1900 Fax: 941-749-5000

**TAYLOR MADE SYSTEMS GEORGIA, INC.**  
7902 Magnolia Industrial Blvd., Tifton, GA 31794  
Tel: 229-387-0492 Fax: 229-387-6396

**TAYLOR MADE SYSTEMS INDIANA**  
1101 Stonebraker Drive, Kendallville, IN 46755  
Tel: 260-347-1368 Fax: 260-347-4618

**TAYLOR MADE GLASS SYSTEMS**  
**Ohio Facility**  
407 N. Maple Street, Payne, OH 45880  
Tel: 419-263-2313 Fax: 419-263-2661

**Tennessee Facility**  
800 Water Bonnet Blvd., Springfield, TN 37172  
Tel: 615-384-6170 Fax: 615-382-0942

**TAYLOR MADE GLASS & SYSTEMS, LTD.**  
Templemore, County Tipperary, Ireland  
Tel: 353-504-31411 Fax: 353-504-31986

**TAYLOR MADE SYSTEMS PACIFIC**  
**Auckland Facility**  
35 Roscommon Road, Papatoetoe, Auckland, New Zealand  
Tel: 0064-9-278-9816 Fax: 0064-9-277-6771  
info@taylormarine.co.nz

**Brisbane Facility**  
43 Randall Street, Slacks Creek, Brisbane, 4124, Queensland, Australia  
Tel: 0061-7-3808-1513 Fax: 0061-7-3808-5025  
info@taylormadesystems.com.au

**TREND MARINE PRODUCTS LIMITED**  
Catfield, Gt. Yarmouth, Norfolk NR29 5BG, UK  
Tel: +44(0)1692 581307 Fax: +44(0)1692 582993  
sales@trendmarine.com

**WATER BONNET MFG., INC.**  
1900 47th Terrace East, Bradenton, FL 34203  
Tel: 941-782-0981 Fax: 941-749-5000  
sales04@waterbonnet.com



THE  
**TAYLOR MADE**  
GROUP™

**TAYLOR MADE GROUP, INC.**  
66 Kingsboro Avenue  
Gloversville, NY 12078  
Tel: 518-725-0681  
Fax: 518-725-4335

**TAYLOR MADE PRODUCTS**  
*Marine aftermarket  
& hardware products*  
65 Harrison Street  
Gloversville, NY 12078  
Tel: 518-773-9400  
Fax: 518-725-4910

**TAYLOR MADE SYSTEMS**  
*Windshield & canvas systems*  
93 South Boulevard  
Gloversville, NY 12078  
Tel: 518-773-0636  
Fax: 518-773-2919

**TAYLOR MADE TECHNOLOGIES, LLC**  
**TAYLORBRITE, LLC**  
*Lighting products*  
65 Harrison Street  
Gloversville, NY 12078  
Tel: 518-773-9400  
Fax: 518-725-4910

**TAYLOR MADE GLASS SYSTEMS**  
*Curved & tempered glass*  
407 N. Maple Street  
Payne, OH 45880  
Tel: 419-263-2313  
Fax: 419-263-2661

800 Water Bonnet Blvd.  
Springfield, TN 37172  
Tel: 615-384-6170  
Fax: 615-382-0942

**TAYLOR MADE GLASS**  
**& SYSTEMS, LTD.**  
*Curved & tempered glass*  
Templemore  
County Tipperary, Ireland  
Tel: 353-504-31411  
Fax: 353-504-31986

**TREND MARINE PRODUCTS, LTD.**  
*Windshield, door & roof systems*  
Catfield, Gt. Yarmouth  
Norfolk NR29 5BG, UK  
Tel: +44(0)1692 581307  
Fax: +44(0)1692 582993

**WATER BONNET MFG., INC.**  
*Windshields & windscreens*  
1900 47th Terrace East  
Bradenton, FL 34203  
Tel: 941-782-0981  
Fax: 941-749-5000

Visit the online source  
of solutions for the  
boating industry —

[www.taylormadegroup.com](http://www.taylormadegroup.com)



[www.taylormarine.com](http://www.taylormarine.com) | [www.trendmarine.com](http://www.trendmarine.com) | [www.waterbonnet.com](http://www.waterbonnet.com)

© Taylor★Made is a registered trademark and the Taylor Made Systems logo is a trademark of Nelson A. Taylor Co., Inc.; The Taylor Made Group logo is a trademark of Taylor Made Group, Inc.

All other registered trademarks are the property of their respective companies.

10.07 100th Anniversary / Combined Capabilities  
© Copyright 2007 Taylor Made Systems.